

# *Connecting the PTV Recorder*

7	Connection Examples
24	Continuing Your Connection Steps
27	Back Panel Connections Reference
31	General Hints



## Connection Examples

This chapter provides examples showing how to connect the PTV Recorder to your existing antenna, cable, satellite, or audio-visual system. Choose the example closest to your configuration and follow the steps in that section.

- **Example 1:** Antenna or cable, with a VCR, and splitting the signal (see page 8)
- **Example 2:** Antenna or cable with a VCR (see page 10)
- **Example 3:** Antenna or cable without a VCR (see page 12)
- **Example 4:** Satellite set-top box with serial connection, and a VCR, using S-Video cable (see page 14)
- **Example 5:** Satellite set-top box with IR input, and a VCR, using S-Video cables (see page 16)
- **Example 6:** Satellite or cable box with IR input, and a VCR, using RF cable (see page 18)
- **Example 7:** Satellite and antenna or cable, with a VCR (see page 20)
- **Example 8:** Satellite and cable with boxes, with a VCR (see page 22)

If you have trouble or if your configuration isn't covered by one of these examples, see Back Panel Connections Reference on page 27.

If you have a more advanced system (perhaps including a stereo game system, laser disc player, or switch box), see General Hints on page 31.



Your PTV Recorder is NOT designed for carrying heavy loads such as a TV.

Structurally, the PTV Recorder is only capable of supporting the weight of one or two common consumer components such as VCRs, DVD players or A/V Receivers (provided they have four good, broad, padded feet for distribution of the weight near the corners of the PTV Recorder).

Thermally, the PTV Recorder is well-designed for stacking since ventilation enters at the extreme front bottom edge of the PTV Recorder and exits at mid-rear. This helps the PTV Recorder “breathe in” cool air and “exhaust out” the warm air at the rear where it’s least likely to harm the other components in your A/V stack.

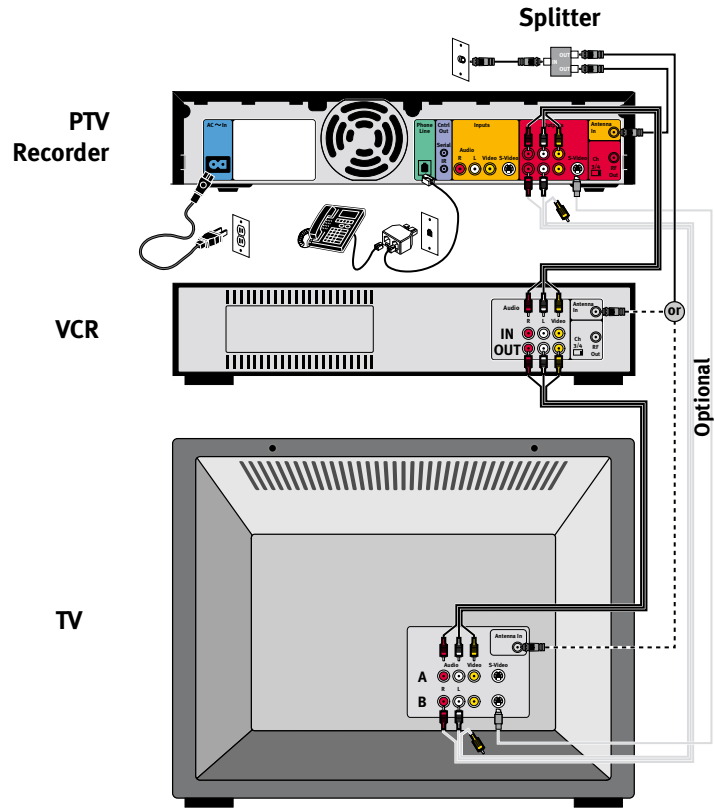
2



If you have cable with a set-top box, you can also split the signal, as follows:

- Attach the RF splitter to the RF coaxial cable coming out of the wall, before it connects to the cable box.
- Connect one of the RF coaxial cables coming from the splitter to the RF In jack on the back of your set-top box.
- Connect the set-top box's RF Out jack to the PTV Recorder's RF In jack using an RF cable. This will let the Recorder record your premium channels normally.
- Attach the other RF coaxial cable coming from the splitter to your TV or VCR's RF In. You won't be able to watch premium channels with this connection, but other channels will work fine if your TV or VCR is cable-ready (which most are).

**Example 1: Antenna or cable, with a VCR, and splitting the signal**



Use this example if you have antenna or cable without a set-top box, you have a VCR, and you want to split your signal to watch one program while you record another. You'll need to purchase an RF signal splitter or switch box and at least two extra RF cables. You can pick up these inexpensive items at your local electronics store.

### 1 Connect your program source/video input to the PTV Recorder

If your TV or VCR can accept multiple inputs, use an RF signal splitter. Once connected, you can switch between watching your PTV Recorder and watching your VCR or TV by changing the "Input" or "Source" on your TV using the appropriate button on your TV's remote.

- Attach your existing TV source cable to the Input section of the RF splitter.
- Use an RF coaxial cable to connect one output from the splitter to the jack labeled RF In on the back of the PTV Recorder.
- Use another RF coaxial cable to connect the other output of the splitter directly to your TV.
- Once connected, you will switch between watching TiVo and watching TV in bypass mode using your TV's "Input", "Source", or "TV/Video" button (on either your TV or the TV's remote).

### 2 Continue

Now skip to step 3 on page 24.



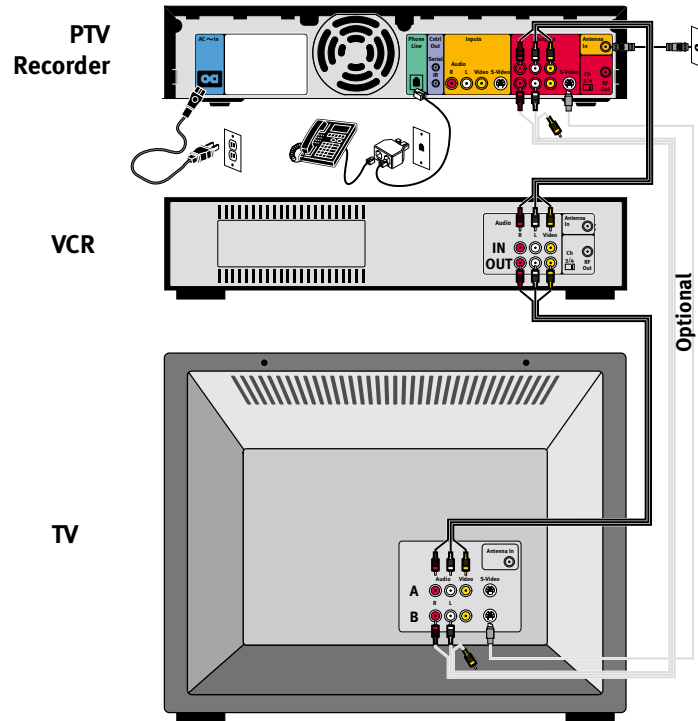
- Make sure that all of your TV equipment is turned off, including unplugging your PTV Recorder.
- If your TV has only one audio jack instead of two, connect just the white audio cable, and leave the red audio cable disconnected.
- Optional - If your TV has an S-video input, connect an S-Video cable and the left/right audio cable directly from your PTV Recorder to your TV. You can then use your TV's "TV/Video," "Input," or "Source" button to switch between the S-video connection (best quality) and the video connection from the VCR.

2



- Make sure that all of your TV equipment is turned off, including unplugging your PTV Recorder.
- Optional - If your TV has an S-video input, connect an S-Video cable and the left/right audio cable directly from your PTV Recorder to your TV. You can then use your TV's "TV/Video," "Input," or "Source" button to switch between the S-video connection (best quality) and the video connection from the VCR.

**Example 2: Antenna or cable, with a VCR**



Use this example if you have antenna or cable without a cable box, you have a VCR, and you do NOT need to split your signal in order to watch one program while you record another.


**1 Connect your program source/video input to the PTV Recorder**

- Find the RF coaxial cable that provides your TV reception – the cable that your cable company stuck through your wall, or the one that’s connected to your antenna. This cable is probably already hooked up to your VCR or TV; if so, disconnect it.
- Now connect this cable to the jack labeled RF In on the back of the PTV Recorder.

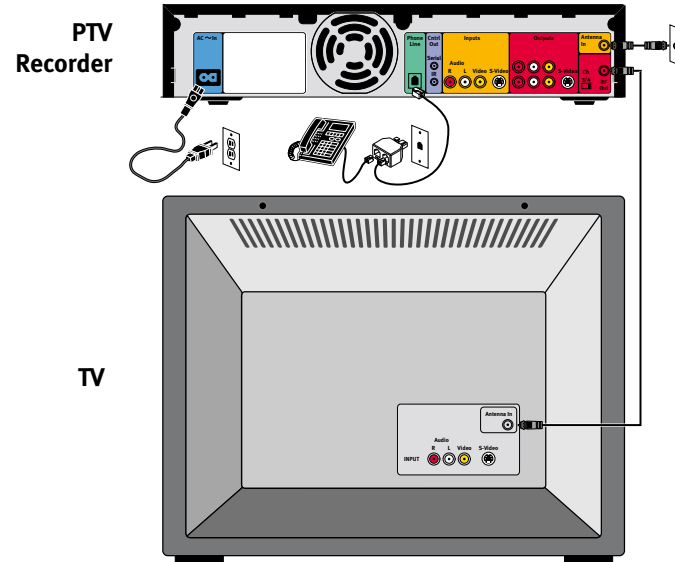
**2 Continue**

Now skip to step 3 on page 24.

2

 Make sure that all of your TV equipment is turned off, including unplugging your PTV Recorder.

**Example 3: Antenna or cable, without a VCR**





Use this example if you have antenna or cable without a cable box, or you do not have a VCR

**1 Connect your program source/video input to the PTV Recorder**

- Find the RF coaxial cable that provides your TV reception – the one that the cable company stuck through your wall, or the one that's connected to your antenna. This cable is probably already hooked up to your TV; if so, disconnect it.
- Now connect this cable to the jack labeled RF In on the back of the PTV Recorder.

**2 Connect the PTV Recorder to your TV**

If your TV has a composite or S-Video input, connect the composite or S-Video and L/R audio cable from the PTV Recorder Output to your TV's Input. If not, connect the RF coaxial cable (supplied) from the RF Out connection on the back of the PTV Recorder to the RF In on the back of your TV.

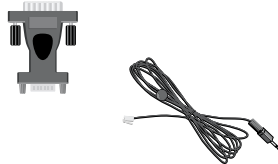
**3 Continue**

Now skip to step 4 on page 25.

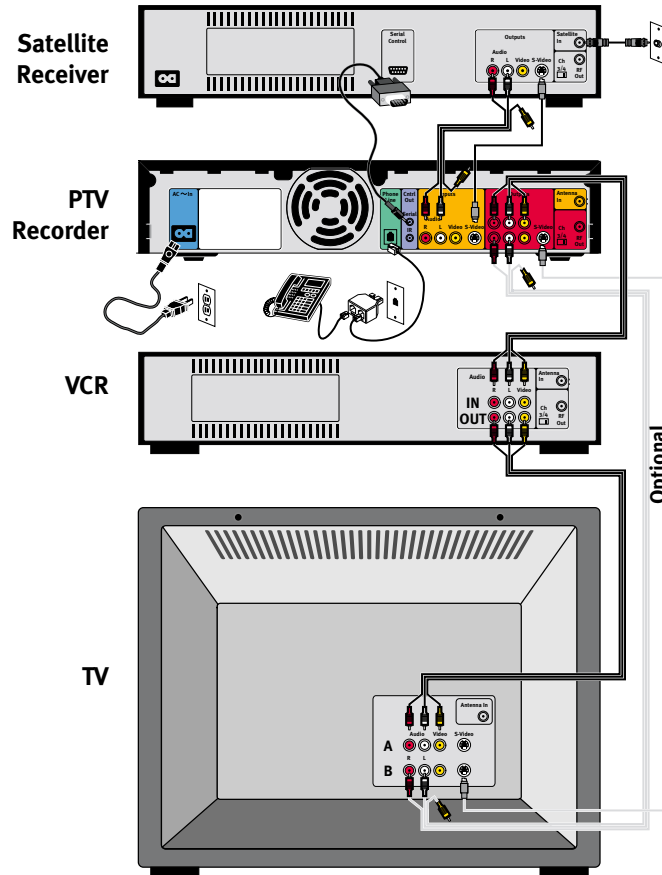
2



- Make sure that all of your TV equipment is turned off, including unplugging your PTV Recorder.
- You may need to use the serial adapter or the RCA Home Control Cable (both included) to connect to your set-top box's Serial Control jack. If you have a Serial Control jack that doesn't work with any of the adapters we provide, use the IR jack and the IR Control cable instead.



**Example 4: Satellite set-top box with serial connection, and a VCR, using S-Video cables**



Use this example if you have a satellite set-top box with a serial connection, and your satellite set-top box uses S-video cables.

**1 Connect the PTV Recorder to your satellite box**

Connect one end of the Serial Control cable (supplied) to the Serial In jack on the back of the PTV Recorder.

Your satellite set-top box may have two jacks that look like Serial Control jacks. If so, use the one labeled “low speed data.” You may need to use the 9 to 25 pin serial adapter (included) to match your jacks, or the Home Control cable (for some RCA boxes).

**2 Connect your program source/video input to the PTV Recorder**

Disconnect any cables that you have connecting your satellite set-top box to your VCR and/or TV. Use the S-Video cable (supplied) to connect the S-Video Out of your satellite set-top box to the S-Video input on the back of the PTV Recorder. You must also use the left (white) and right (red) Audio/Video cables to connect the Audio Out on your satellite set-top box to Audio In on the back of the PTV Recorder, as illustrated here. If your satellite box does not have S-video, use the yellow composite video cable.

**3 Continue**

Now skip to step 3 on page 24.



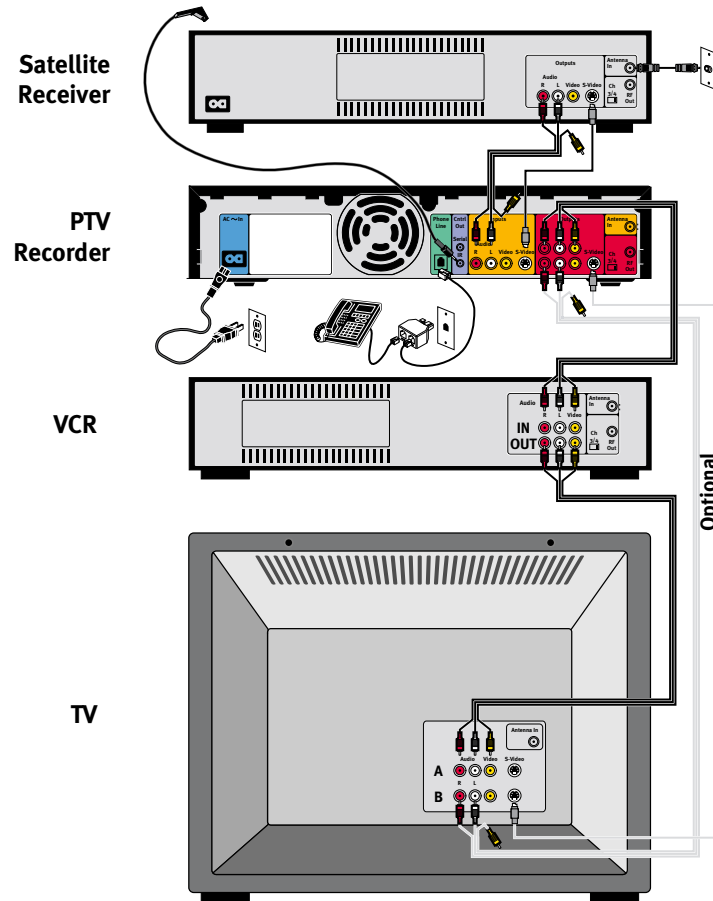
- A serial connection works better than IR, so use serial when possible.
- Optional - If your TV has an S-video input, connect an S-Video cable and the left/right audio cable directly from your PTV Recorder to your TV. You can then use your TV's “TV/Video,” “Input,” or “Source” button to switch between the S-video connection (best quality) and the composite video connection from the VCR.

2



- Make sure that all of your TV equipment is turned off, including unplugging your PTV Recorder.
- You may need to purchase a second S-Video cable if one wasn't supplied with your satellite set-top box or VCR.
- Since your TV source comes from a box that can only display one channel at a time, it's not possible for you to split your signal and watch one channel on your TV while the PTV Recorder records a different channel.
- Optional - If your TV has an S-video input, connect an S-Video cable and the left/right audio cable directly from your PTV Recorder to your TV. You can then use your TV's "TV/Video," "Input," or "Source" button to switch between the S-video connection (best quality) and the composite video connection from the VCR.

**Example 5: Satellite set-top box with IR input, and a VCR, using S-Video cables**



Use this example if you have a satellite set-top box and VCR, no Serial Control jack, or your satellite receiver and your satellite set-top box uses S-Video cables.

**1 Connect the PTV Recorder to your satellite box**

Since you use a satellite box to receive your television signal, the PTV Recorder needs to be able to change channels on your box in order to record shows and display live TV.

Connect the PTV Recorder to the infrared (IR) sensor of your satellite set-top box using the IR Control cable (supplied). Start by plugging the IR Control cable into the Control Out IR jack on the PTV Recorder.

Next, locate the IR Recorder on your satellite set-top box – it's usually a small dark red window or button on the front of the box. Place the IR Emitter (from the IR Control cable) on top of the satellite set-top box, sticking out slightly. The IR Emitter has an adhesive strip so you can adhere it to the set-top box. If it is not possible to stick the IR Emitter directly onto the window, place it in front of or as close as possible to the window.

**2 Connect your program source/video input to the PTV Recorder**

Disconnect any cables that you have connecting your satellite box to your VCR and/or TV. Use the S-Video cable (supplied) to connect the S-Video Out of your satellite set-top box to the S-Video input on the back of the PTV Recorder. You must also use the left (white) and right (red) Audio/Video cables to connect the Audio Out on your satellite set-top box to the Audio In on the back of the PTV Recorder as shown.

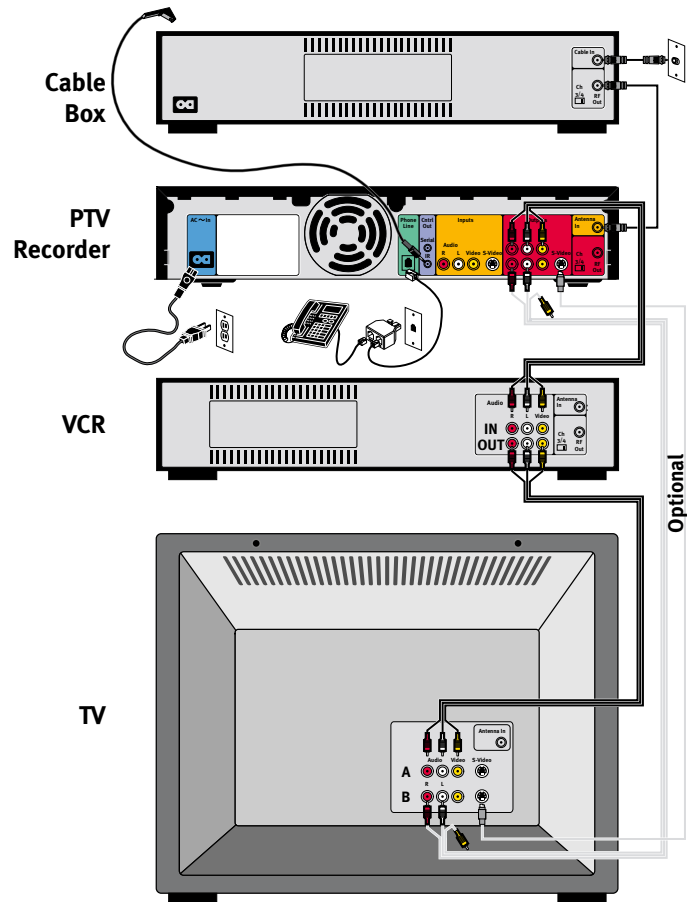
**3 Continue**

Now skip to step 3 on page 24.



- Make sure all of your TV equipment is turned off, including unplugging your PTV Recorder.
- Most satellite set-top boxes have S-Video out or Composite out jacks. Check the back of your satellite set-top box carefully; if there are jacks other than RF Out, follow the steps in Example 4.
- Ditch your box! If you have a cable box that you are only using because your TV/VCR are not cable-ready, and you don't watch premium channels, you don't need your cable box any more. The PTV Recorder is cable-ready. Follow Example 2.
- Optional - If your TV has an S-video input, connect an S-Video cable and the left/right audio cable directly from your PTV Recorder to your TV. You can then use your TV's "TV/Video," "Input," or "Source" button to switch between the S-video connection (best quality) and the composite video connection from the VCR.

Example 6: Satellite or cable box with IR input, and a VCR, using RF cables



Use this example if you have cable or satellite, the satellite has no serial input jack, and the cable/satellite box has no Composite Video and L/R audio output jack.

**1 Connect the PTV Recorder to your cable or satellite box**

Since you use a cable set-top box or satellite set-top box to receive your television signal, the PTV Recorder needs to be able to change channels on your box in order to record shows and display live TV.

Connect the PTV Recorder to the infrared (IR) sensor of your box using the IR Control cable (supplied). Start by plugging the IR Control cable into the Control Out IR jack on the back of the PTV Recorder.

Next, locate the IR Recorder on your box – it's a small dark red window or button on the box's front. Place the IR Emitter (from the IR Control cable) on top of your set-top box, sticking out slightly. The IR Emitter has an adhesive strip so you can adhere it to the set-top box. Position the IR Emitter in front of or as close as possible to the window.

**2 Connect your program source to the PTV Recorder**

Find the RF coaxial cable coming from the RF Out jack of your satellite box or cable set-top box. This cable is probably already hooked up to your VCR or TV; if so, disconnect it. Now connect this cable to the jack labeled RF In on the back of the PTV Recorder.

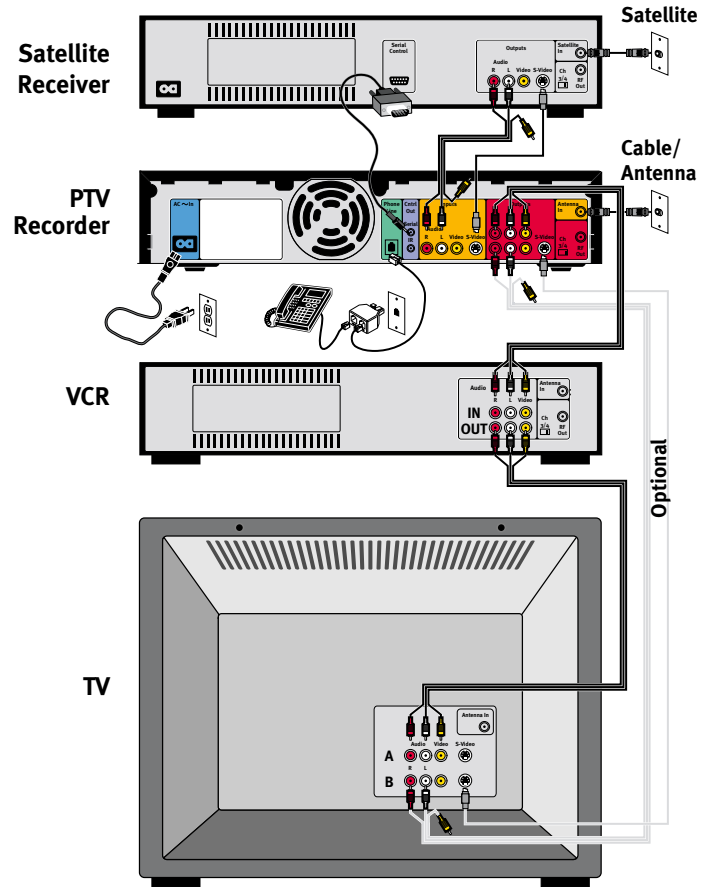
**3 Continue**

Now skip to step 3 on page 24.



- Make sure that all of your TV equipment is turned off, including unplugging your PTV Recorder.
- You may need to use the serial adapter or the RCA Home Control Cable (both included) to connect to your set-top box's Serial Control jack. If you have a Serial Control jack that doesn't work with any of the adapters we provide, use the IR jack and the IR cable instead.
- Optional - If your TV has an S-video input, connect an S-Video cable and the left/right audio cable directly from your PTV Recorder to your TV. You can then use your TV's "TV/Video," "Input," or "Source" button to switch between the S-video connection (best quality) and the composite video connection from the VCR.

Example 7: Satellite and antenna or cable, with a VCR





Use this example if you have both a satellite set-top box and either antenna or cable (with no cable box), and a VCR.

### 1 Connect the PTV Recorder to your satellite box

**Serial Connection** - If your satellite set-top box has a Serial In jack, you can connect the PTV Recorder to your box using the Serial Control cable (supplied). Otherwise, use the IR connection.

**IR Connection** - Start by plugging the IR Control cable into the Control Out IR jack on the back of the PTV Recorder.

Next, locate the IR Recorder on your satellite set-top box – it’s usually a small dark red window or button on the front of the box. Place the IR Emitter (from the IR Control cable) on top of the satellite set-top box, sticking out slightly. The IR Emitter has an adhesive strip so you can adhere it to the set-top box. If it is not possible to stick the IR Emitter directly onto the window, place the it in front of or as close as possible to the window.

### 2 Connect your program source/video input to the PTV Recorder

Disconnect any satellite or antenna/cable connections to your VCR and/or TV. Connect the satellite box to the input of the PTV Recorder using the S-Video cable (preferred) and the left (white) and right (red) Audio/Video cables. If you don’t have S-Video output, use the Yellow Composite Video cable. Then connect your coaxial antenna or cable to the jack labeled RF In on the PTV Recorder.

### 3 Continue

Now skip to step 3 on page 24.



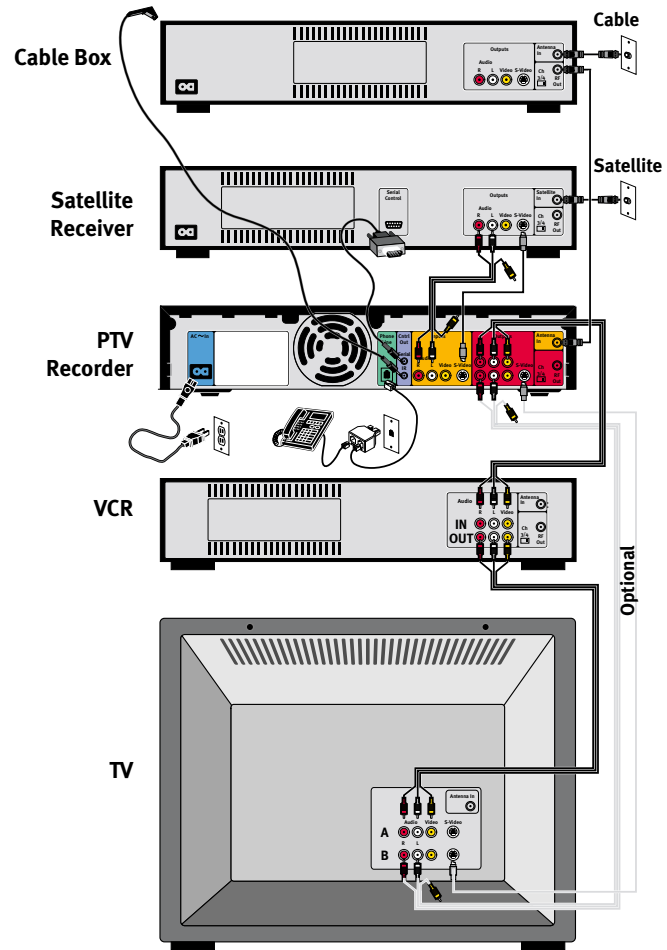
- Since you use a satellite set-top box to receive your television signal, the PTV Recorder needs to be able to change channels on your box in order to record shows and display live TV.
- A serial connection works better than IR, so use serial if possible.
- If your satellite set-top box has two jacks that look like Serial Control jacks, use the one labeled “low speed data.” You may need to use the 9 to 25 pin serial adapter (included) to match your box.

2



- Make sure that all of your TV equipment is turned off, including unplugging your PTV Recorder.
- You may need to use the serial adapter or the RCA Home Control Cable (both included) to connect to your set-top box's Serial Control jack. If you have a Serial Control jack that doesn't work with any of the adapters we provide, use the IR jack and the IR cable instead.
- Optional - If your TV has an S-video input, connect an S-Video cable and the left/right audio cable directly from your PTV Recorder to your TV. You can then use your TV's "TV/Video," "Input," or "Source" button to switch between the S-video connection (best quality) and the composite video connection from the VCR.

Example 8: Satellite and cable with boxes, with a VCR



Use this example if you have a satellite set-top box and a cable set-top box.

### 1 Connect the PTV Recorder to your satellite box and your cable box

**Serial Connection** -If your satellite set-top box has a Serial In jack, connect the PTV Recorder to it using the Serial Control cable (supplied). If your satellite set-top box has two jacks that look like Serial Control jacks, use the one labeled “low speed data.” You may need to use the 9 to 25 pin serial adapter (included) to match your box.

**IR Connection** - Plug the IR Control cable into the Control Out IR jack on the back of the PTV Recorder. Next, locate the IR Recorder on your cable box (usually a small dark red window or button on the front). Place the IR Emitter (from the IR Control cable) in front of the IR Recorder, sticking out slightly. The IR Emitter has an adhesive strip so you can adhere it to the box. If it is not possible to stick the IR Emitter directly in front of the window, place it as close to the window as possible.

### 2 Connect your program source/video input to the PTV Recorder

- Disconnect any satellite or cable connections to your VCR and/or TV.
- Connect the satellite box to the input of the PTV Recorder using the S-Video cable (preferred) and the left (white) and right (red) Audio/Video cables. If you don't have S-Video output, use the Yellow Audio/Video cable instead.
- Connect your cable set-top box to the RF In jack on the back of the PTV Recorder using the RF coaxial cable supplied.

### 3 Continue

Now continue with step 3 on page 24.



- Since you use both a satellite and cable set-top box to receive your television signal, the PTV Recorder needs to be able to change channels on both of your set-top boxes in order to record shows and display live TV.
- If your satellite set-top box doesn't include a Serial In jack, then place the other emitter IR Control cable on top of your satellite receiver, in front or as close as possible to the IR window.

2



Your VCR is probably already hooked up to your TV. So, once you've connected the PTV Recorder to your VCR, you've also indirectly hooked up the PTV Recorder to your TV. The PTV Recorder will send its signal to your VCR, and in turn your VCR will send the PTV Recorder's signal to your TV.

## Continuing Your Connection Steps

Once you've completed steps 1 and 2 for your particular connection, continue here with step 3.

### 3 Connect the PTV Recorder to your TV and/or VCR

If you don't have a VCR, skip to step 3b.

#### 3a Video Output to VCR and TV

First, look at the back of your VCR and see what types of jacks are available. Choose the best you have from the following options, and connect the PTV Recorder output to your VCR input.

- S-Video cable, along with the Left/Right (white and red) Audio cable (best)
- Composite Video (yellow) and Left/Right Audio (white and red) (better)
- RF Out, using the RF coaxial cable (good)

Next, connect your VCR output to your TV input, again using the best connection available (see note at left). Continue with step 4.

If you are connecting using RF coaxial cable, you need to select between output on channel 3 or 4 using the small switch next to the output jack on the back of the PTV Recorder. To get the best picture, select the channel that is not occupied by a local broadcast channel. For example, if there is a local broadcast station on channel 4, select channel 3. You will need to tune your VCR to this channel to receive the PTV Recorder.

Your VCR should also have a switch that controls its channel output. Make sure that both the PTV Recorder and any other equipment are all using the same channel – that is, if the PTV Recorder uses channel 3 for output, you must also set your

VCR to use channel 3 for output, and then tune your TV to channel 3 to receive a signal.

### 3b Video Output directly to TV

If you completed step 3a, then this step is optional (see note at right). Look at the back of your TV and the PTV Recorder and see what types of jacks are available. Connect the PTV Recorder output to your TV input using the best possible connection from the following options:

- S-Video cable, along with the Left/Right (white and red) Audio cable (best)
- Composite Video (yellow) and Left/Right Audio cable (white and red) (better)
- RF Output, using the black RF coaxial cable (good)

If you are connecting using RF coaxial cable, you need to select between output on channel 3 or 4 using the small switch next to the output jack on the back of the PTV Recorder. To get the best picture, select the channel that is not occupied by a local broadcast channel. For example, if there is a local broadcast station on channel 4, select channel 3. You will need to tune your VCR to this channel to receive the PTV Recorder.

## 4 Connect the PTV Recorder to your telephone line

It is not necessary to install a separate phone line. Simply plug the Recorder into any existing phone jack. If the phone jack is used for another phone, use the provided splitter. **Do not connect the PTV Recorder to digital PBX systems.** You could permanently damage your PTV Recorder's modem.

If you don't have a phone line close by, no problem! The PTV Recorder ships with a 50' cord, and does not need to be connected all the time. Simply run the phone cord across the room to any phone jack within reach. After Guided Setup completes, you can unplug the phone line and store it with the PTV Recorder. You



- Even if you've connected through your VCR, you may want to directly connect the PTV Recorder to your VCR and TV. For example, if your VCR doesn't have S-Video jacks but your TV has an S-Video In, you probably will want to connect the PTV Recorder directly to your TV to take advantage of the better picture quality of S-Video cables. Also, if your TV has picture-in-picture capabilities, you could watch a videotape on your VCR while you're watching the PTV Recorder.
- If your TV has only one audio jack instead of two, connect just the white audio cable, and leave the red audio cable disconnected.

2

only need to reconnect to the phone line once or twice a week. Plug in the phone line, then go to **Messages and Setup, Phone Connection**, and choose “Make Daily Call Now.”

### 5 Plug in the PTV Recorder power

Now you should have everything connected and ready to go. Check all the connections one more time and then turn on your TV equipment. To turn on the PTV Recorder, plug the power cord into the back of the PTV Recorder. After a few moments, you should see **Welcome to TiVo** screen.

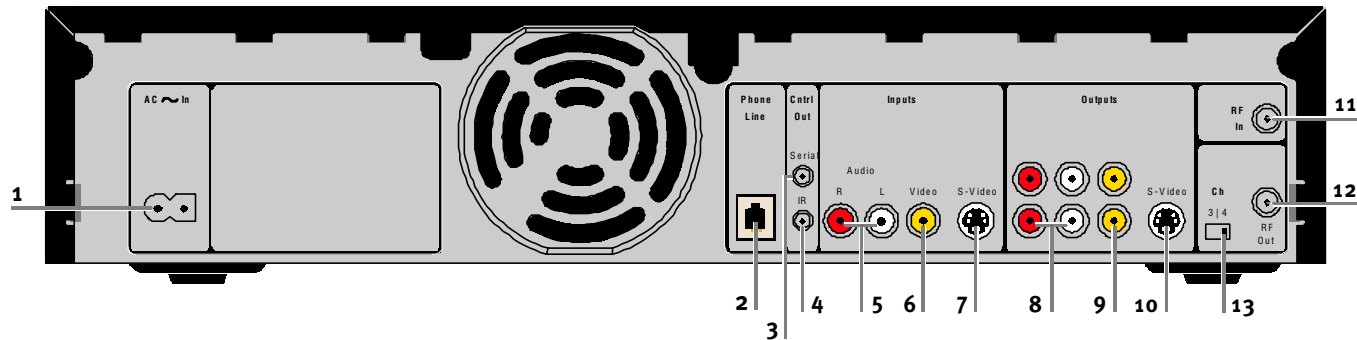
To see the **Welcome to TiVo** screen, you may need to change channels or change which input your TV uses. If you used RF coaxial cable in step 3, make sure you’re viewing the same channel (3 or 4) that you selected. If you’re using S-Video or Audio/Video cables, you’ll need to change your TV so that it displays the appropriate input. On some TVs, you need to use the “Input” button to switch inputs; other TVs might label this the “Select” or “Video” button. Other TVs require that you keep changing channels until the alternate input is displayed. If you have trouble, double-check your connections and look for help in Additional Information.

### 6 Guided Setup

Once you see the **Welcome to TiVo!** screen, continue with the instructions in Chapter 3 of this *Setup Guide* in order to set up and activate the TiVo Service.



## Back Panel Connections Reference



2

This section describes the use of the connection jacks and switch on the back panel of the PTV Recorder. If your setup doesn't match any of the examples in this chapter, you can use this information for general reference.

**1 - AC ~ In:** When you've finished making all of the other connections, plug in the AC power cord (supplied) to turn on the PTV Recorder. The PTV Recorder does not use a separate on and off switch; plugging it in switches it on.

**2 - Phone Line:** Connect the PTV Recorder to your phone line using the telephone cord (supplied) and optional 2-outlet phone splitter (supplied). The PTV Recorder uses the phone line to get program listings.

**3 - Cntrl Out (Serial):** If you have a satellite set-top box or cable set-top box and it features a Serial In jack (sometimes labeled "Low Speed Data"), you can connect the PTV Recorder to your box using the Serial Control cable (supplied), allowing the Recorder to change channels and control your box. A serial connection works better than an IR, so use serial when possible.

**4 - Cntrl Out (IR):** If you have a satellite set-top box or cable set-top box that doesn't include a Serial In jack, attach the PTV Recorder to the IR window of your cable set-top box or satellite set-top box using the IR Control cable (supplied). Start by plugging the IR Control cable into the Cntrl Out IR jack on the back of the PTV Recorder. Next, locate the IR window on your cable or satellite set-top box – it's usually a small dark red window or button on the front of the box. Place the IR Emitter (from the IR Control cable) on top of the window, sticking out slightly. The IR Emitter has an adhesive strip so you can adhere it to the set-top box. If it is not possible to stick the IR Emitter directly onto the window, place it in front of or as close as possible to the window. Ignore this jack if you're using the Control Out (Serial) jack.

**5 - Audio R and L Inputs:** Use these jacks if you have a satellite set-top box, cable set-top box, or digital cable set-top box. Connect the left (white) and right (red) audio cables from the Audio Out of your set-top box to the PTV Recorder's audio input using the Audio/Video cables (supplied). Note that you will use these jacks for audio if you're using either the yellow Video Input or S-Video Input. Ignore these jacks if you're using RF In.

**6 - Composite Video Input:** Use this jack if your satellite set-top box, cable set-top box, or digital cable set-top box doesn't include an S-Video Output jack. Connect the Video Out of your set-top box to the PTV Recorder using the video connector (yellow) on the Audio/Video cables (supplied). Use this jack only if you can't use S-Video Input. Ignore this jack if you're using RF In.

**7 - S-Video Input:** S-Video will result in a higher quality image than composite video, so use this jack if you have a satellite set-top box or cable set-top box that features an S-Video out jack. Connect the S-Video Out from your set-top box to the PTV Recorder using the S-Video cable (supplied).



**8 - Audio R and L Outputs (2 each):** If your TV or stereo features Composite (RCA) Input jacks, connect the left (white) and right (red) Audio Output jacks from the PTV Recorder to your TV or stereo using the Audio/Video cables (supplied). If you have both a TV and a VCR, you might use one set of Audio cables for the TV and another set (not supplied) for the VCR; see earlier in this chapter for examples. Ignore these jacks if you're using RF Out.

**9 - Composite Video Outputs (2):** If your TV or VCR features a Composite video jack but doesn't have an S-Video input, connect the PTV Recorder to your TV or VCR's Video In using the yellow video connector on the Composite Audio/Video cables (supplied). If you have both a TV and a VCR, you might use one cable for the TV and another cable (not supplied) for the VCR. Ignore this jack if you're using S-Video Output or RF Out.

**10 - S-Video Output:** If your TV or VCR features an S-Video input jack, connect it to the PTV Recorder using a second S-Video cable (not supplied). S-Video is preferred over other connections since it provides the highest quality picture. Ignore this jack if you're using Composite Video Outputs or RF Out – but you should disconnect those other connections and use this one instead if your TV or stereo does feature an S-Video input jack.

**11 - RF In:** If you have cable or an antenna, connect your cable or antenna to the PTV Recorder using your existing coaxial cable (the one coming out of the wall). Ignore this jack if you're using Audio/Video Input or S-Video Input. If you have a cable box that features both RF Out and S-Video output or Audio/Video output, choose S-Video or Audio/Video instead of RF.

**12 - RF Out:** If your TV has multiple inputs and you can use the PTV Recorder's S-Video Output or Audio/Video Output, don't use this jack. But if your TV only has RF

In, connect the PTV Recorder to your TV's RF In using the RF coaxial cable (supplied).

**13 - Ch 3/4 Switch:** If you use RF Out, set the output to channel 3 or 4 using this switch. To get the best picture, select the channel that is not occupied by a local broadcast channel. For example, if there is a local broadcast station on channel 4, select channel 3 for the output on the PTV Recorder. You need to set your television to this channel (3 or 4) in order to view programs through the PTV Recorder.

## General Hints

- Study the Back Panel Connections Reference starting on page 27 to learn what jacks are available on your PTV Recorder.
- Make sure the PTV Recorder receives its signal from your TV source. Work out where your TV signal comes from (satellite, cable or antenna). If you have to go through a switch box or set-top box or stereo, test the output cable on your TV before taking that output and plugging it into the PTV Recorder's input jacks.
- Decide where the PTV Recorder should send its signal. You'll need to get the signal to your TV eventually, but you could choose to have the video signal go through a VCR or to a switch box or audio-visual amplifier before it reaches the TV. If you want the PTV Recorder to be able to archive shows to a VCR, you'll also need to have the PTV Recorder's output go to a VCR.
- You may have a lot of sources of video. In addition to the PTV Recorder and a VCR, you may have a video game player, a laser disc player, a DVD player, and a video camera. If so, consider using a switch box or an audio-visual amplifier that has input jacks for your devices, along with an output to your TV and speakers. Then, that amplifier or switch box will let you choose what to display on your TV.
- If you're having trouble, read the Troubleshooting chapter in this manual. Also, try the Support section on the TiVo website (<http://www.tivo.com/>).